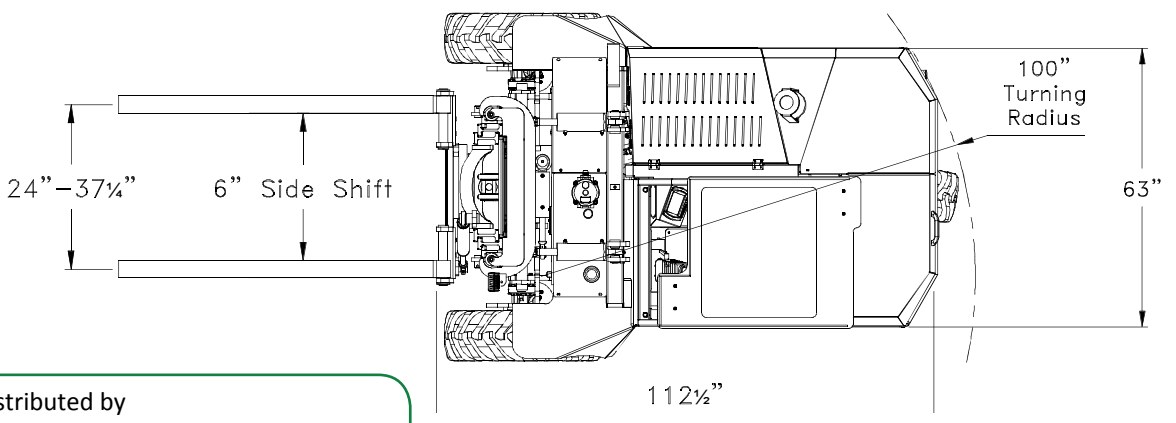
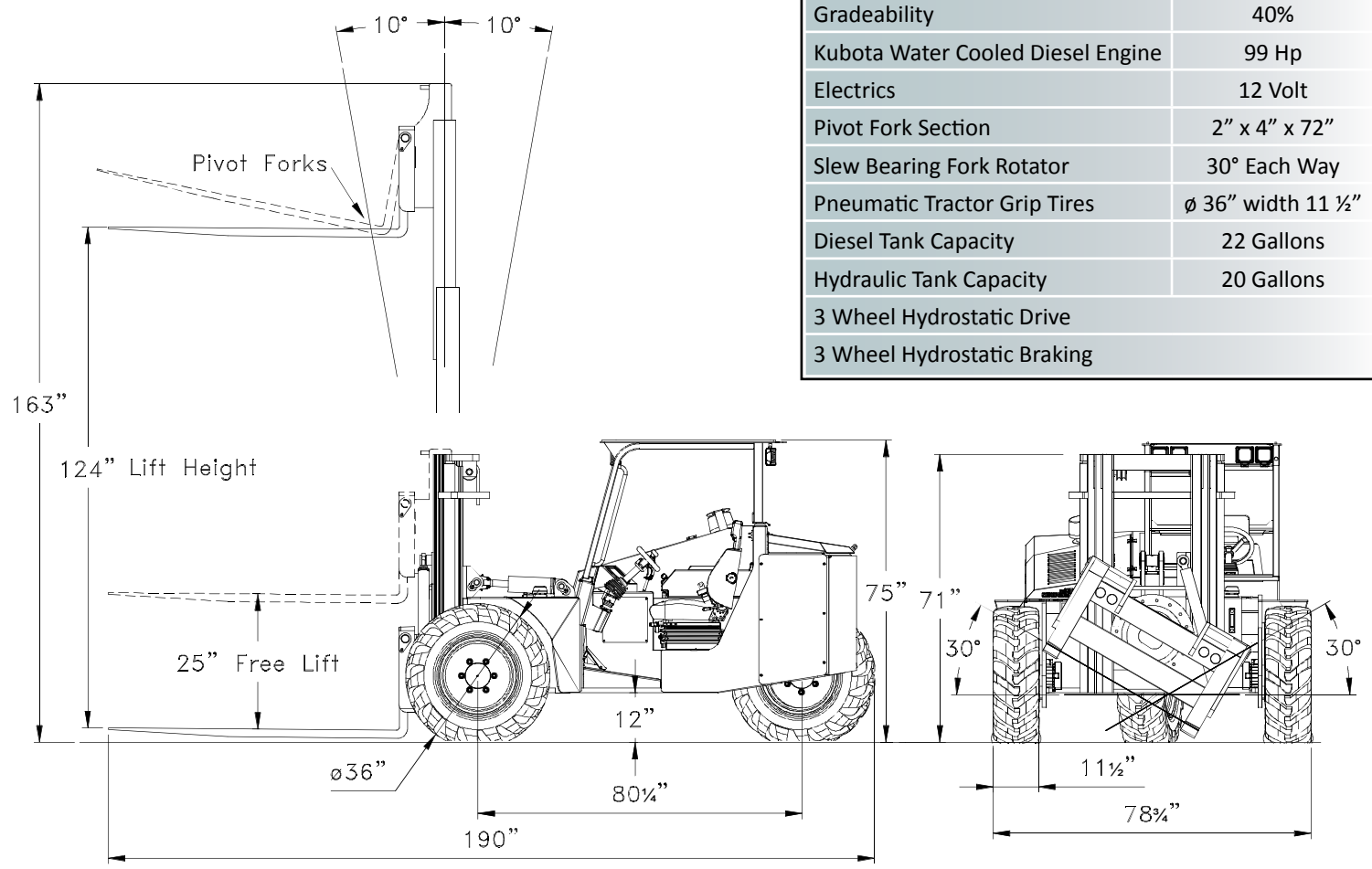




THE Solution to your Poultry Collection Problems

DESCRIPTION	Imperial
Capacity	3,500lbs @ 48"
Unladen Weight	10,500lbs
Ground Speed	11mph
Gradeability	40%
Kubota Water Cooled Diesel Engine	99 Hp
Electrics	12 Volt
Pivot Fork Section	2" x 4" x 72"
Slew Bearing Fork Rotator	30° Each Way
Pneumatic Tractor Grip Tires	ø 36" width 11 ½"
Diesel Tank Capacity	22 Gallons
Hydraulic Tank Capacity	20 Gallons
3 Wheel Hydrostatic Drive	
3 Wheel Hydrostatic Braking	



Distributed by

COMBiLiFT USA
 303 Concord St
 Greensboro, NC 27406
 T: 1877 COMBI 56
 F: 336 378 8842
 E: info@combilift.com

COMBiLiFT
 Gallinagh, Co Monaghan, IRELAND
 Tel: +353 47 80500 Fax: +353 47 80501

FEATURES:

- 3 Wheel Maneuverability
- Hydrostatic
- All Wheel Drive
- Large Tractor Grip Tires
- Deep Suspension Seat
- Back Up Alarm
- 6" Mast Side Shift
- Pivot Forks



Removal Feather Protection Mesh



Intergrated 30° Rotator



BENEFITS:

- Small Turning Radius
- Reduced Maintenance Costs
- No Mechanical Brakes To Adjust Or Replace
- Large Ground Clearance
- Offset Driving Position Gives Excellent Visibility-for Positioning Poultry Cage
- Diff-lock

