

# MEET YOUR NEXT EMPLOYEE OF THE MONTH



 **TORA-MAX**

[TORA-MAX.COM](http://TORA-MAX.COM)  
Electric Walkie Pallet Jack



CAPACITY  
4000 LBS

**TORA-MAX**

# FEEL THE POWER

---

You work hard. Day-in and day-out, you're there getting the job done. You deserve equipment that works as hard as you. Tora-Max is a no-nonsense electric pallet jack at a no-nonsense price. These beasts will keep working as long as you do.

# LOW MAINTENANCE HIGH PERFORMANCE

You're not a bells and whistles operation. Why would you want a bells and whistles pallet jack? Tora-Max delivers what you need. Dependable AC power and maneuverability. And that's it. You've got three optional add-ons to choose from. Three. Don't reinvent the wheel. Give your back a break without breaking the bank. One more reason Tora-Max is your next employee of the month.

## ■ CHROME-PLATED LIFT CYLINDER

Reinforced and durable to keep your walkie lifting and keep your product moving. Who doesn't love a little chrome plating?

## ■ SINGLE-POINT WATERING SYSTEM

Tora-Max is powered by four batteries, each with its own maintenance needs. An easy-to-use single-point watering system cuts your maintenance time and doesn't even require cover removal. Less downtime means you can get back to work.

## ■ ON-HANDLE DIRECTION REVERSE SWITCH

That big red button on the handle could mean the difference between pinwheeling and being pinned. If you get cornered the "belly button" reverses Tora-Max travel to keep you out of too tight situations.

## ■ TOOL FREE COVER REMOVAL

No tools? No problem! The Tora-Max features tool free cover removal so you can complete routine maintenance checks with ease.

## ■ ON-BOARD BATTERY CHARGER

No extra equipment needed here. Plug it into your wall outlet and walk away. Talk about convenient.

## ■ MULTI-FUNCTION CONTROL HANDLE WITH ERGONOMIC GRIPS

Comfortable, intuitive, and easy to use, our control handle uses ergonomic considerations to reduce operator strain and fatigue. Because we believe handles should be designed for hands.





**4000 LB.**  
**CAPACITY**

**AC DRIVE**  
**MOTOR**



**NO  
NONSENSE  
SOLUTIONS**



New equipment usually means headaches – implementation, additional charging equipment, and complex training. Who needs that pain? The Tora-Max electric pallet jack is easy. Its simple design makes training easy so that you can get your equipment on the floor and get to work. No costly charging equipment, no complicated controls, and no overwhelming options or packages. Just simple, effective power. That's Tora-Max.



# INDUSTRIES



- Low to mid-volume companies
- Light Manufacturing
- Beverage
- Warehousing
- Retail
- Distribution

# STANDARD EQUIPMENT



## PERFORMANCE

- 24 Volt Electrical System
- AC Drive Motor
- Thermal Protection & Current Limiting
- Transistor Drive Control System
- Regenerative Braking
- Contactor-less Drive Controls
- Electronic Raise and Lower Controls  
Located on Operator Handle
- Anti-roll Back System
- Fused Control and Power Circuits

## BODY/EXTERIOR DESIGN

- Box Rail Fork Construction
- Tapered Fork Tips with Pallet Entry Slides
- Steel Stabilizer Bars
- Metal Oxide Bushings
- Chrome-plated Lift Cylinder, 1.58" dia.
- Polyurethane Drive Tire  
9.8" dia. x 3.1" width
- Polyurethane Load Wheels  
3" dia. x 4.4" width
- Battery Compartment  
26.5" x 7.8" x Open Height
- On-Board Battery Charger
- 24V Battery Pack
- Single Point Battery Watering System
- High Strength Service Cover
- SB-175 Battery Connector (Red)
- Tool-free Cover Removal
- Steel Fixed Pull Rods

## OPERABILITY & ERGONOMICS

- Multifunction Control Handle with  
Ergonomically Angled Hand Grips
- Fingertip Control of All Functions
- Directional Thumb Wheels
- Direction Reverse Switch on  
Control Handle
- Pneumatic Cylinder Control  
Handle Return
- "Pinwheel" Capability for Right  
Angle Stacking
- Parking Brake Electric Disc
- Turtle Speed for Pinwheel Operation
- Digital Battery Discharge Indicator
- Digital Hour Meter

# OPTIONAL EQUIPMENT



- 48" High Load Backrest<sup>1</sup>
- 60 " High Load Backrest<sup>1</sup>
- 42" Fork Length

<sup>1</sup> Only one load backrest option can be ordered per truck.





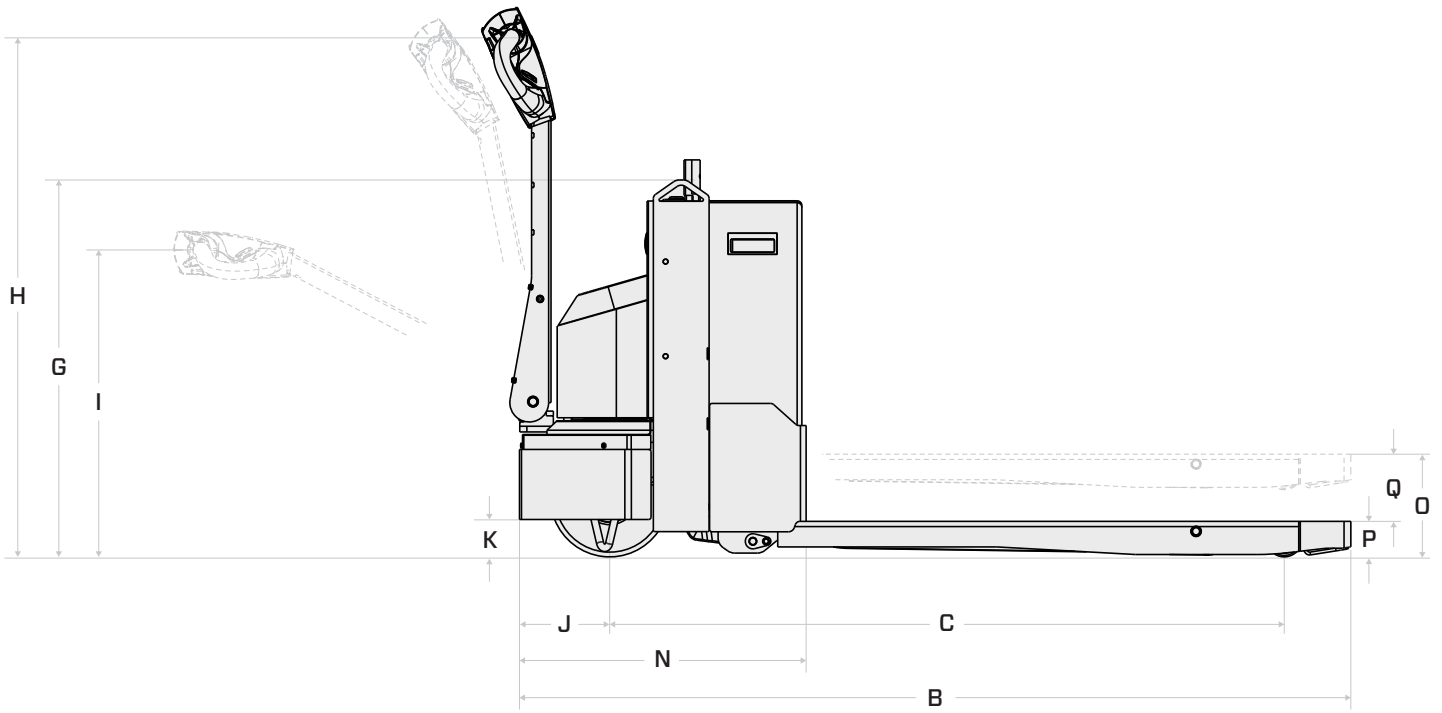
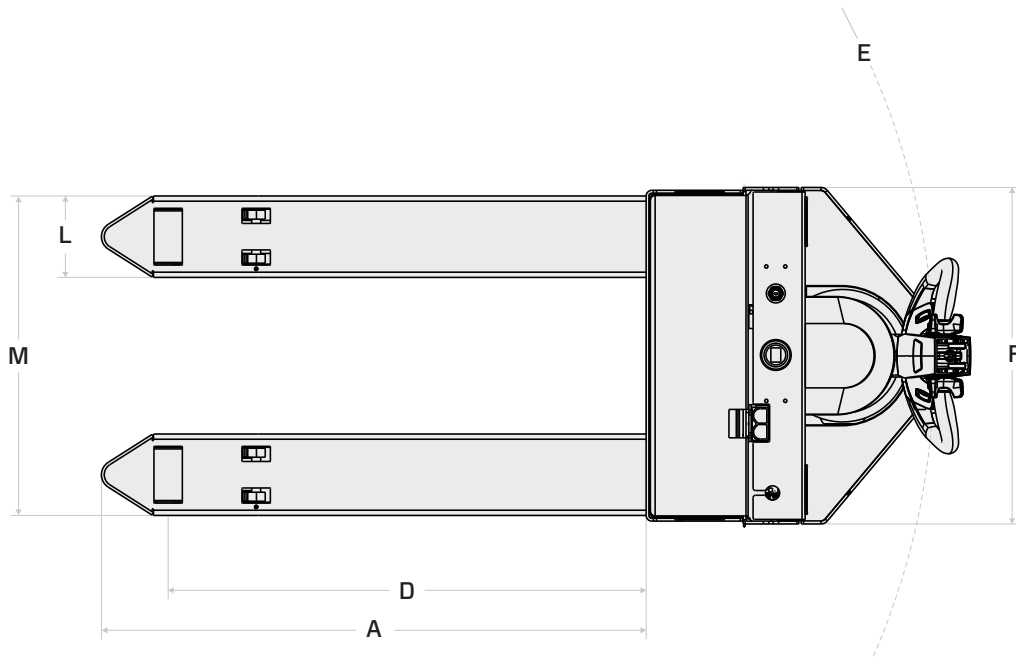
GENERAL DATA			TBW40	
Load Capacity		lb (kg)	4000 (1814)	
Power Type	Battery			
Operator Position	Walkie			
Tire Type	Drive / Load	Polyurethane / Polyurethane		
Wheels (x = driven)	Front / Rear	1 Drive / 2 Load		
EXTERIOR DIMENSIONS <sup>1</sup>			TBW40	
<b>A</b> Fork Length <sup>1</sup>		in (mm)	42 (1067)	48 (1220)
<b>B</b> Overall Length <sup>2</sup>		in (mm)	63.1 (1604)	69.1 (1756)
<b>C</b> Wheelbase	Lowered	in (mm)	49.5 (1257)	55.4 (1408)
	Raised	in (mm)	47.1 (1197)	53.1 (1349)
<b>D</b> Load Wheel Location	Lowered	in (mm)	33.1 (840.7)	39.1 (993)
	Raised	in (mm)	30.4 (773)	36.6 (929)
<b>E</b> Turning Radius	Lowered	in (mm)	57 (1449)	63 (1600)
	Raised	in (mm)	54.7 (1389)	60.7 (1541)
<b>F</b> Overall Width		in (mm)	28 (711)	
<b>G</b> Power Unit Height	Lowered	in (mm)	31.3 (795)	
<b>H</b> Control Handle Height	Fully Raised	in (mm)	43.9 (1115)	
<b>I</b> Control Handle Height	Fully Lowered	in (mm)	25.4 (645)	
<b>J</b> Bumper to Drive Tire Center		in (mm)	7.5 (190)	
<b>K</b> Bumper Underclearance		in (mm)	3.1 (80)	
<b>L</b> Fork Width		in (mm)	6.8 (172)	
<b>M</b> Overall Fork Width <sup>1</sup>		in (mm)	27 (686)	
<b>N</b> Head Length		in (mm)	23.9 (606)	
<b>O</b> Fork Height	Lowered	in (mm)	2.95 (75)	
	Raised	in (mm)	8.0 (203)	
<b>Q</b> Lift		in (mm)	5.05 (128)	
Handle Length		in (mm)	31.6 (803.2)	
Basic Right-Angle Stacking Aisle Width <sup>3</sup>		in (mm)	75.1 (1907.8)	81.1 (2060.2)
Gross Weight without Battery		lb (kg)	700.6 (318.5)	716.5 (325)
PERFORMANCE DATA			TBW40	
Travel Speeds	Full Load	mph (km/h)	3.4 (5.4)	
	No Load	mph (km/h)	3.4 (5.4)	
Lift Speeds	Full Load	ft/s (mm/s)	0.13 (40)	
	No Load	ft/s (mm/s)	0.17 (52)	
Gradeability	Full Load	%	8	
	No Load	%	8	
TIRES			TBW40	
Tires	Number	Front / Rear	1/2	
	Size (dia. x width)	Drive (front)	in (mm)	9.8 x 3.1 (250 x 80)
		Load (rear)	in (mm)	3 x 4.4 (75 x 111)
		Casters (front)		Metal Skid Bar
POWER SYSTEM			TBW40	
Battery Compartment	Length	in (mm)	24.3 (617)	
	Width	in (mm)	7.2 (183)	
	Height	in (mm)	Open	
Battery	Amps Max	V / Ah	157	
	Voltage	V	24	
	Connector Cable Length	in (mm)	15.7 (400)	
Battery Weight	Max	lb (kg)	400.4 (182)	
	Min	lb (kg)	200 (91)	
Electric Motors	Max	hp (kW/h)	2 (1.5)	
	Min	hp (kW/h)	2.68 (2)	
Control Type	Drive	lb (kg)	Transistor	
	Load Handling	lb (kg)	Electromagnetic Contactor	

1 All numbers are nominal. For more information please see your dealer.

2 Measurement with the handle in the vertical position.

3 Minimum Aisle Width for Right-Angle Stacking; Aisle widths have been given for a standard model. Add a minimum of 12" for maneuverability.

# EXTERIOR DIMENSIONS





# TORA-MAX

00722TORAMAXBROCH  
©2018 TORA-MAX

[TORA-MAX.COM](http://TORA-MAX.COM)

Some product features described herein are optional. Please consult your dealer for specifications. Details of specifications and equipment are based on information available at time of printing and may change without notice.